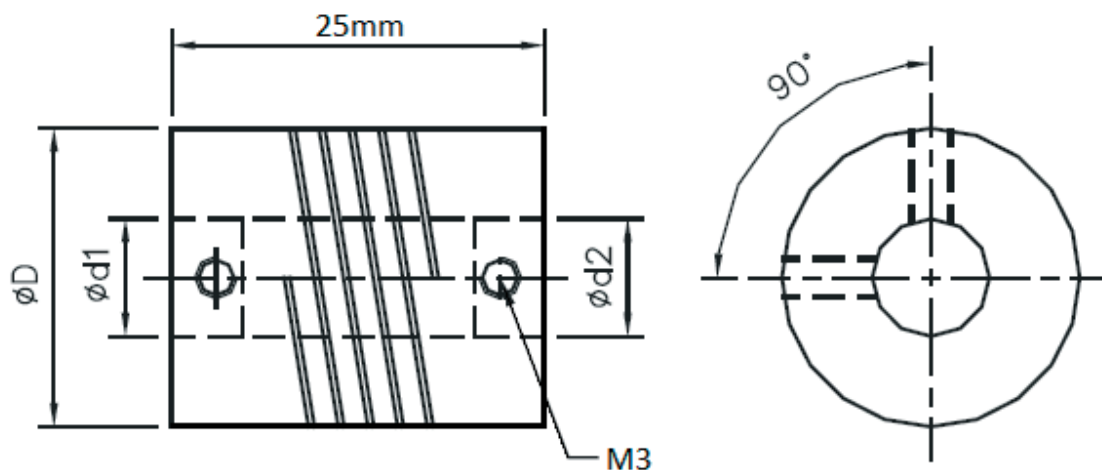


25 mm Aluminium coupling

Hexagon socket clamp screwing

- Compensation of shaft misalignments
- Free of play
- High torsional strength
- Compensation of up to 1°



all dimensions in mm

MECHANICAL CHARACTERISTICS

Rotational speed (U/min)	8000 (max.)
Maximum torque (Nm)	0,7
Weight (g)	17
Moment of inertia (g/cm ²)	31
Torsional strength (Nm/rad)	11,75
Lateral misalignment (mm)	±0,25
Angular misalignment (°)	1
Axial misalignment (mm)	±0,1
Maximum clamping torque (Ncm)	25
Temperature range (°C)	-40 to +85
Diameter (D max. in mm)	20

MATERIAL

Coupling	Polyurethane
Hexagon set screw	Steel, browned

BORE FOR SHAFTS

d1 (mm)	d2 (mm)	
Ø 6	Ø 6	6-6
Ø 6.35	Ø 6.35	6.35 - 6.35

Mixed inch / metric and other bores on request.

Description: This coupling, made from aluminium, guarantees a play free transmission of radial movements for medium torques. The design of the coupling allows a high torsional stiffness and reduces restoring forces. Couplings are an important link in load transmission. They unload shafts and axles and help to improve the operational life of coupled devices.

Typically applications: Encoder, potentiometer, small servo drives, stepper motors and measurement- and servo systems

ORDERING INFORMATION

AC
|
Type

Detailed information: www.megauto.de

6-6
|
Bore Diameter