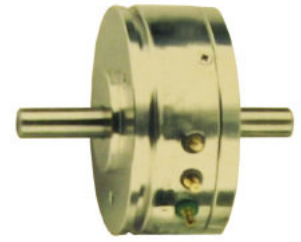


45 mm 2 Watt Industrial Single Turn, Servo Mount, Conductive Plastic

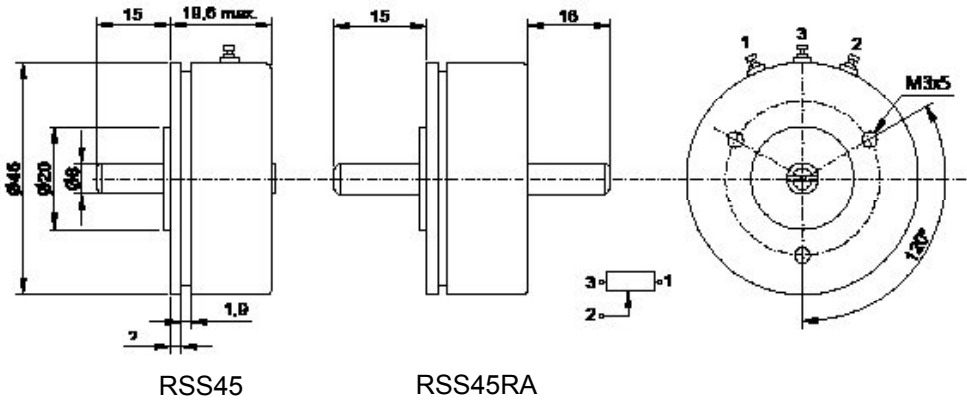
- 2 Ball Bearings
- Long Life 30x10⁶ Revolutions
- Special Designed Models on Request
- All Metal Design



RSS45



RSS45RA



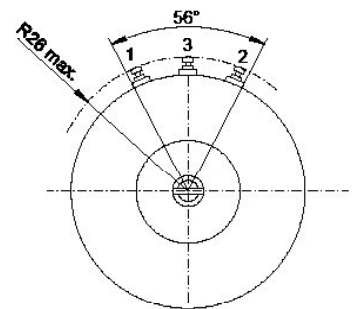
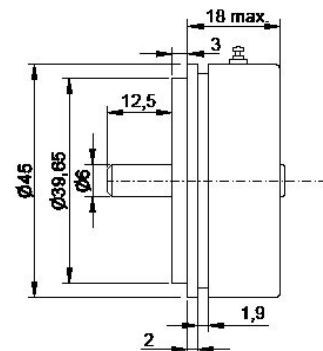
MATERIAL

Housing	anodized aluminium
Shaft	stainless steel
Terminals	brass, gold plated

all dimensions in mm



RSS45FF flattened flange



ELECTRICAL CHARACTERISTICS

Resistance element	Conductive plastic
Standard resistance values (Ω)	1k, 5k
Standard resistance tolerance (%)	(typ. IEC 60393) ±15
Standard linearity tolerance (%)	(typ. IEC 60393) ±0,5
Best possible linearity tolerance (%)	(typ. IEC 60393) ±0,1; 0,05
Resolution	quasi infinite
Power rating (+70°C)	2 Watt
Electrical travel	90°±5°, 180°±5°, 345°±5°, 352°±5°
Wiper current	<1mA (1µA recommended)
Dielectric strength	500 VAC
Insulation resistance	1000 MOhm /500VDC

MECHANICAL CHARACTERISTICS

Mechanical angle	360°
Torque starting	≤ 0,5 Ncm
Rotational life (shaft revolutions)	(typ. IEC 60393) 30x10 ⁶
Bearing type:	2xball bearings
Operating temperature:	-55°C to +125°C

Application: The RSS 45 is ideally suitable as angular rotational position sensor. It shall be used only in a voltage divider circuit. Special shaped and lengths of front and rear shaft, electrical angle of 90° and 180°, special tolerances are available as options. For extremely long life and applications with shock and vibrations, we recommended Ecoturn types.

OPTIONS ON REQUEST

Special resistance value
Special electrical angles (A)
Special linearity

ORDERING INFORMATION

Detailed information: www.megauto.de/rotasense

RSS45	10k	/	L1%	A-180	S
Typ	Ω	continous (C)	Linearity Tolerance	Special Angle	Special Shaft

Please note: The specification and information in this datasheet cannot consider all special demands that are caused by the application. Because of this, they are no general description of the properties of the product. Megauto does not assume any responsibility for damages due to improper application of our products. The user has to ensure by its own, that the products used are suitable for his application. Megauto does not warrant the reproducibility of published applications.