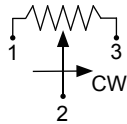
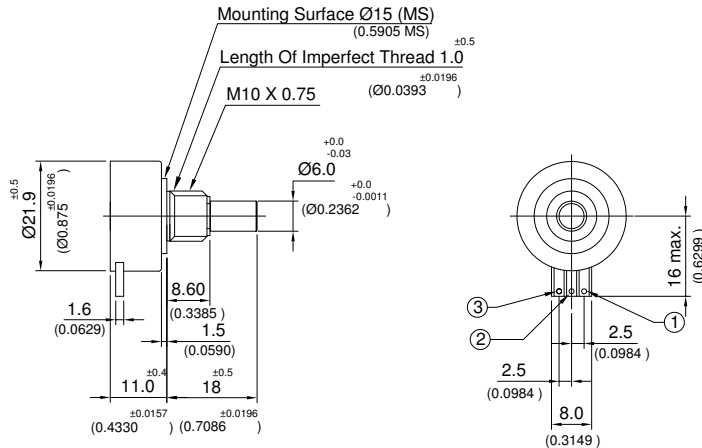


21 mm Industrial Single Turn Potentiometer  
Bushing Mount, Conductive Plastic

- Conductive plastic, metric size
- Electrical angle 320° (360° continuous)
- shaft 6 mm dia
- Rear shaft extension / additional gang
- High resolution



all dimensions in mm



**ELECTRICAL CHARACTERISTICS**

Resistance element	Conductive plastic
Standard resistance values (Ω)	1K, 5K, 10K (up to 100K)
Standard resistance tolerance (%)	(typ. IEC 60393) ± 20
Standard linearity tolerance (%)	(typ. IEC 60393) ± 2,0
Best linearity tolerance (%)	(typ. IEC 60393) on request
Resolution	quasi infinite
Maximal wiper current	<1 mA
Power rating (+70°C)	1 Watt
Electrical travel	320° ± 5° (R21PC) 320° ± 5° with endstops (R21P)
Insulation resistance	1000 MOhm at 500 VDC
Dielectric strength	500 VAC

**MATERIAL**

Housing	glass filled thermoset plastic
Shaft	stainless steel
Terminals	BERG connector / pads on PCB
Bushing	brass

**Soldering Recommendation**

Use soldering iron with 350°C for 3 seconds maximum!

**MECHANICAL CHARACTERISTICS**

Mechanical angle (R21PC)	360° continuous
Mechanical angle (R21P)	330° ± 5° with endstops
Torque starting (Ncm)	<1
Torque running (Ncm)	0,5
Rotational life (shaft revolutions)	(typ. IEC 60393) 3.000.000
Bearing type	sleeve
Operating temperature (°C)	-50°C to +105°C

**OPTIONS UPON REQUEST**

Special resistance value
Special electrical angles (A)
Rear shaft extension (RA)
2 sections (2)
Special shaft (S)
IP65 protection (IP65)
Special torque
O -ring on shaft (OR)

**Application:** This conductive plastic, high resolution control can be used in many industrial applications. This low cost control is an alternative to very expensive precision conductive plastic types.

**ORDERING INFORMATION**

Detailed information: [www.megauto.de/rotaset](http://www.megauto.de/rotaset)

R21P	C	10k	L2,0%	xxx	RA	x	xxx	IPxx
Model	continuous (C)	Ω	Linearity	Special Angle	rear shaft exten.	Sections	Special Shaft	Options

MEGAUTO KG • 01156 Dresden • Am Tummelsgrund 48 • [www.megauto.de](http://www.megauto.de)  
Tel.: +49 351 65878940 • Fax: +49 351 65878949 • mail: [info@megauto.de](mailto:info@megauto.de)

10/2013 • subject to change without notice/E & OE, ROHS compliant product



Please note: The specification and information in this datasheet cannot consider all special demands that are caused by the application. Because of this, they are no general description of the properties of the product. Megauto does not assume any responsibility for damages due to improper application of our products. The user has to ensure by its own, that the products used are suitable for his application. Megauto does not warrant the reproducibility of published applications.