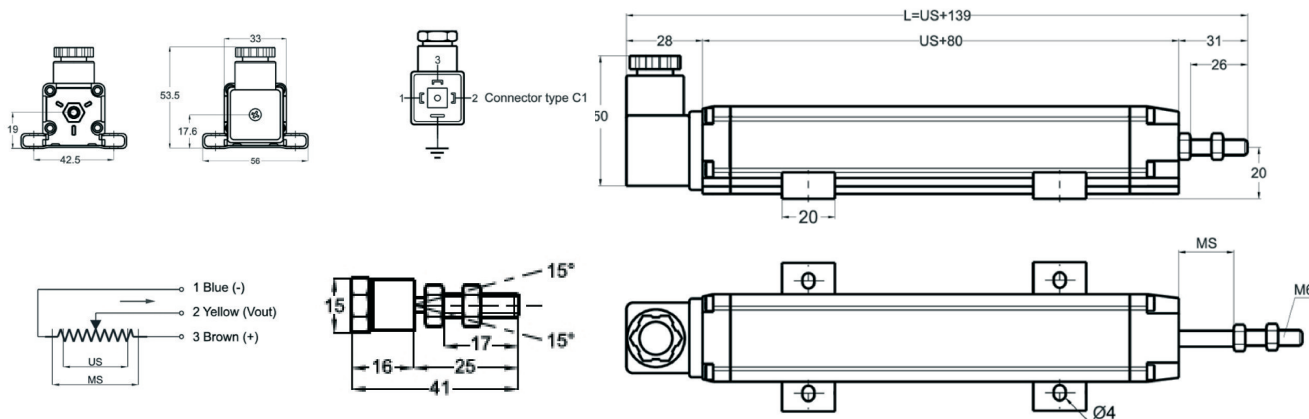
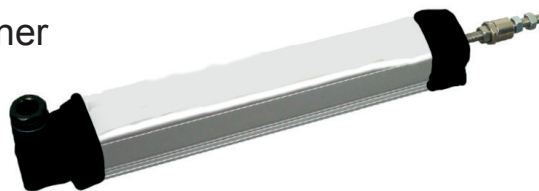


33x33 Square Potentiometric Linear Motion Sensor
Full Stroke 30 - 1250 mm, inbuilt signalconditioner

- Linearity Tolerance $\pm 0,075\%$
- built-in signalconditioner 0...10 VDC, 4...20 mA
- Long Life Expectancy 50 mil.
- Excellent Repeatability $\pm 10\mu\text{m}$



DIMENSION / RESISTANCE

Model	30	50	75	100	125	130	150	175	200	225	250	550	600	650	700	750	800	850	900	1000	1250
total lenght L (mm)	161	181	206	231	250	261	281	306	331	356	381	681	731	781	831	881	931	981	1031	1131	1381
Mech travel MS (mm)	33	53	78	103	128	133	153	178	203	228	253	553	603	653	703	753	803	853	903	1003	1253

ELECTRICAL CHARACTERISTICS

Resistance element	conductive plastic
Independent linearity tolerance	(typ. IEC60393) $\pm 0,075\%$
Resolution	quasi infinite
Repeatability	(typ. IEC60393) $\pm 10\mu\text{m}$
Input voltage (TLS)	28VDC (max.)
Sealing	IP65

MECHANICAL CHARACTERISTICS

Rod diameter	6 mm
Operating speed	< 5m/s (max.)
Life (movements)	(typ. IEC60393) 50×10^6
Operating temperature (°C)	-20°C to +80°C
Link Ball / Rod bearing	
Connector version (ST) C193	

MATERIAL

Housing	Anodized aluminium
Link ball; Rod bearing	Stainless steel

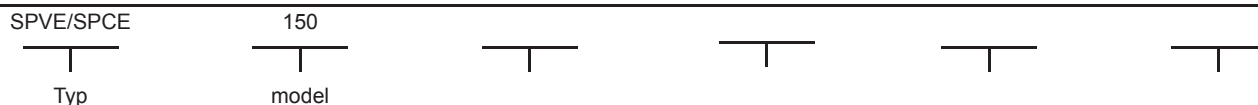
SIGNALCONDITIONER

Supply voltage: 15 - 30 VDC
Output: 0 -10 VDC, 4-20 mA
SPVE - voltage output 0-10 VDC
SPCE - current output 4-20 mA

GENERAL DESCRIPTION:

The linear transducer has an extruded aluminium housing with a stainless steel shaft. Together with precious metal wiper and conductive plastic resistance element the life time crosses 50 mil. operations according IEC60393. Long bearings in the housing ensure a smooth operation. The connector and the mounting parts are included in the price.

ORDERING CODE



European Sales & Technical Support

MegAuto KG
Am Tummelsgrund 48
D 01156 Dresden, Germany
Tel : +49 351 6587894 0 Fax : +49 351 6587894 9
Email : info@megauto.de / www.megauto.de
a MegAuto Group Company

Worldwide Technical & Marketing Center

MegAuto International, Sensall Division
Div. of . Sendap Precision Electronics PVT. LTD
3, Electronic Sadan - I, MIDC, Bhosari, Pune - 411026, INDIA
Tel : +91 20 30681190 , +91 20 30626126
Email : mail@megacraft.net / www.sensall.info
a MegAuto Group Company



Please note: The specification and information in this datasheet cannot consider all special demands that are caused by the application. Because of this, they are no general description of the properties of the product. MegAuto does not assume any responsibility for damages due to improper application of our products. The user has to ensure by its own, that the products used are suitable for his application. MegAuto does not warrant the reproducibility of published applications.